



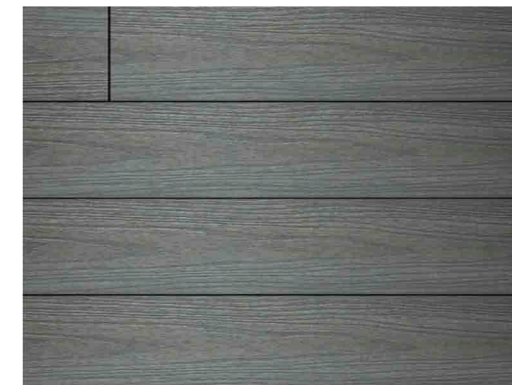
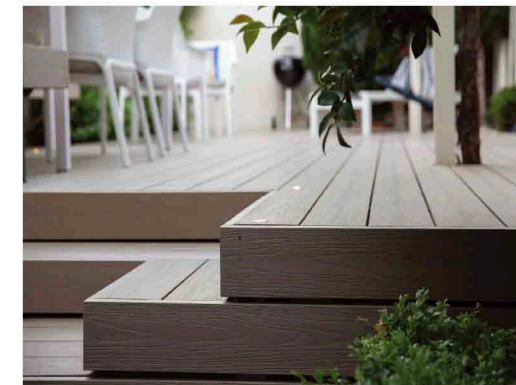
WOOD PLASTIC COMPOSITE

什么是塑木？

PE塑木是由回收木粉和塑料混合挤出而成的一种新型绿色环保产品。该产品具有天然的木纹和颜色，同时也具有高分子材料的独特特性：防水，防虫，防紫外线，耐酸碱，耐磨损，免漆成型，可回收。也具有抗老化，无腐蚀，无裂纹，不变形，不浪费，免维护，承载力大，寿命长等优点。产品外观精美，安装简单，维护方便，省时省力，效率高，能满足客户的各种需求。广泛应用于别墅露台、户外游泳池、宾馆酒店、亲水步道、长廊花架、园林景观等。

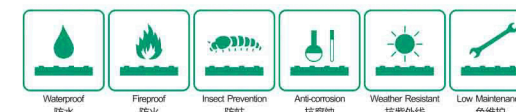
What is WPC?

PE WPC is a green energy saving and environmental protection product which is extruded from the mixture of recycled wood fiber and plastic (PE). The product offers the natural wood grain, color, texture, and possesses the advantages of high polymer materials: waterproof, fire-proof, mothproof, anti-UV, acid and alkali resistance, wear resistance, paint-free molding, recyclable. WPC products also has the advantages of anti-aging, no corrosion, no cracks, no deformation, no waste, maintenance-free, big bearing capacity, longevity and so on. WPC product has exquisite appearance, easy for installation, simply maintenance, time saving and labor saving, high efficient, and satisfied with the various needs of customers. And WPC product is widely used in villas terrace, outdoor swimming pool, restaurant and hotel, walkways, corridor, flower shelf, garden and so on.



WPC的产品特性

- 天然木纹质感，安装便捷，可满足不同客户需求
- 可钉、可刨、可锯、可钻，可塑性强
- 免喷漆，不含胶水，零甲醛，无需维修与养护，节省后期维修和保养费用
- 防水、防潮，不龟裂，不膨胀，不变形
- 防虫、防白蚁，耐用、寿命长
- 高环保性、无污染、无公害、可循环利

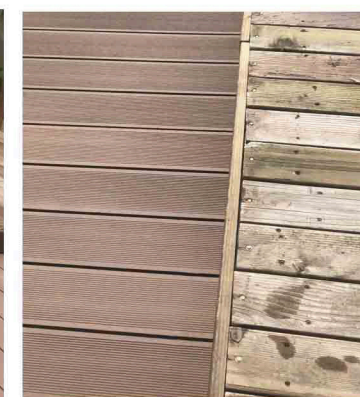
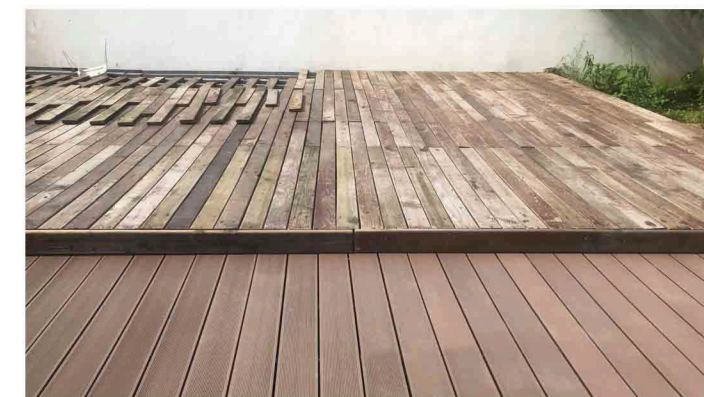


- Beautiful and elegant nature wood grain texture and touch with easy installation, thus can meet various requirements of customers.
- Can be shaved, nailed, drilled and cut to fit accessories of different specifications.
- Mildew proof, resistant to rotting and splitting.
- Acid-and-alkali-resistant,corrosion-resistant, moisture-resistant and pest resistance.
- No painting, no glue, low maintenance.
- Anti-slip, fewer cracks and warp, barefoot friendly
- Good weather ability, suitable from -40°C to + 60°C.
- UV resistance, and durable.
- Dimension stability against moisture and temperature.
- Environmental friendly, fully recyclable and no other hazard chemical.

塑木与其它材料在景观应用上的比较

The difference between Wood Plastic Composite and other materials in landscape

| 材质 Material | 环保塑木景观制品 Wood plastic composite | 原木景观制品 Nature wood | 铁艺景观制品 Iron |
|---------------------------|---|---|---|
| 价格 Price | 经济、稳定 Economic, stable | 高、趋涨 High, rising | 较高、趋涨 Higher, rising |
| 外观 Appearance | 美观 Beautiful | 美观，具有天然木纤维 纹理，亲近自然 Beautiful, with nature, wood texture | 生硬，很难与周围景观自然协调 Stiff, hard to coordinate with nature |
| 施工 Installation | 简便 Easy and fast | 较难 Difficult | 难 Difficult and slow |
| 维护 Maintenance | 维修频率低且维护简便 Low cost and easy | 需定期上漆补裂 Need to paint and fill crake regularly | 难以维修且需定期维护上漆 Hard to repair, need to paint regularly |
| 耐候性 Weather resistance | 优良，抗水性好，不易霉变及褪色 抗腐蚀，抗虫蛀 Good weather resistance, waterproof, mildew proof, color stable, anticorrosion, mothproof | 弱，抗水性差，易霉变、虫蛀、漆面剥落 Bad weather resistance,not water proof, easy to mildew, moth-eaten, paint off | 易腐蚀 Easy corrosion |



木塑地板

WPC DECKING SERIES



The main material is PE and wood powder, it can be used in landscape, gardening, vilias and other outdoor paltform.

木塑地板主要将PE和木粉或者竹粉作为原材料，经高速混合、造粒之后，挤出成型，有效的结合了PE和木粉的双重特性，可塑性强，防水、防潮、防霉，硬度强，抗压能力大，零甲醛，绿色环保，木塑地板主要应用于园林景观、别墅等户外装饰。

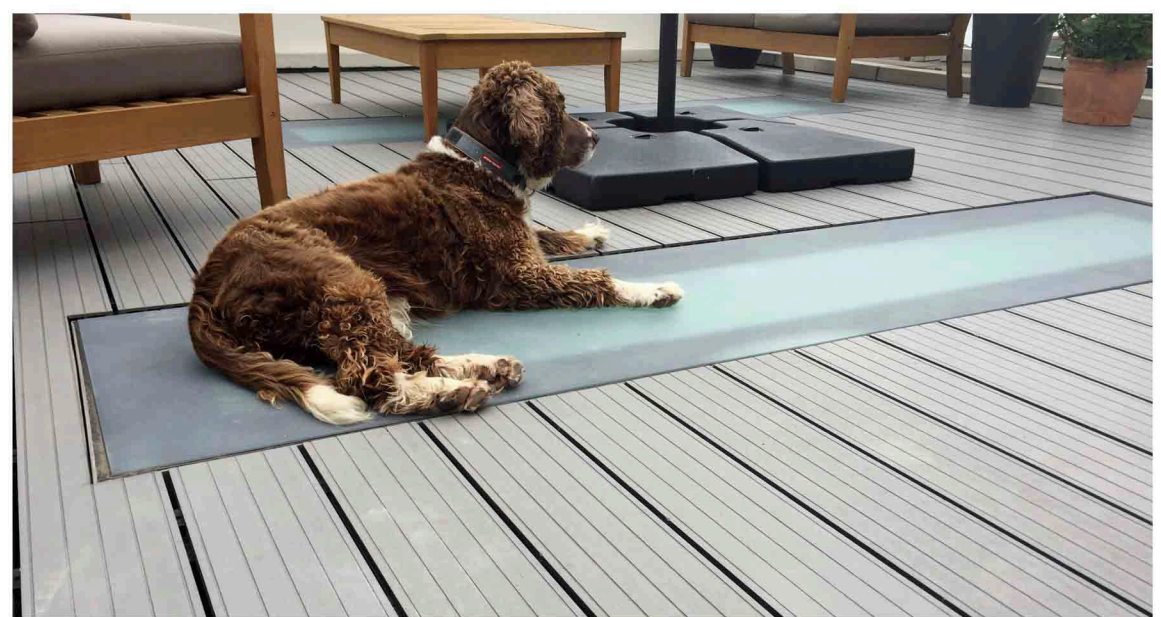
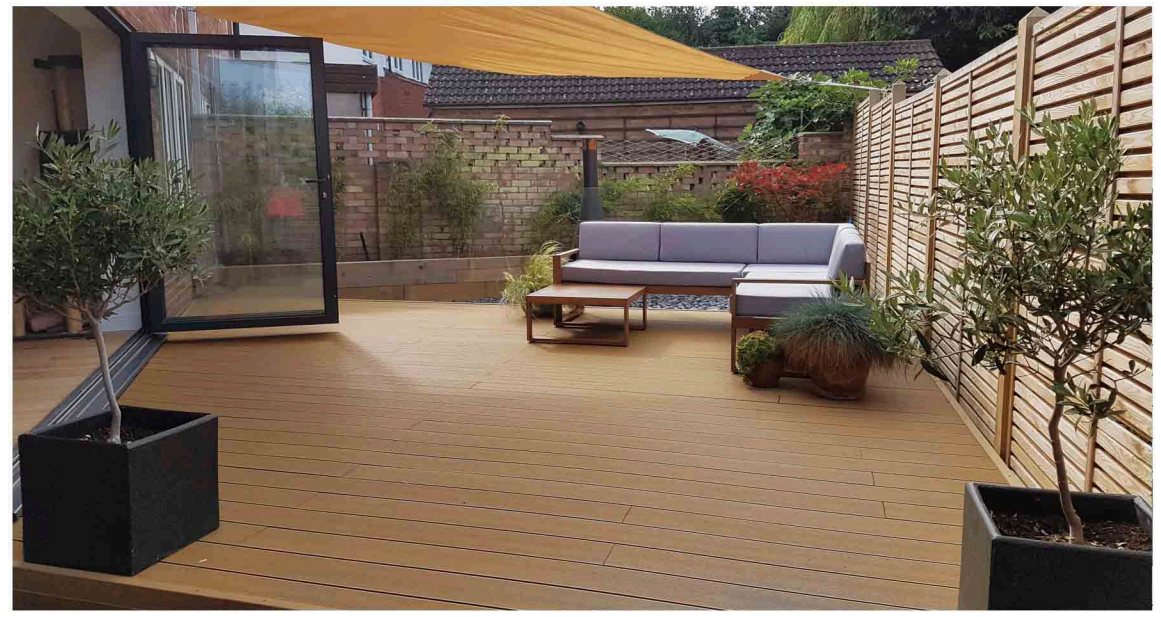




WOOD
PLASTIC
COMPOSITE

CASE APPRECIATION 塑木地板案例赏析

纯天然材料·自然、环保、可回收再利用·实现循环经济·可广泛
应用于园林、庭院、广场、步行街、小区景观道路等户外场所
High strength/anticorrosion/weather resistance
slip resistance/no cracking/no warp



CO-EXTRUSION DECKING 共挤地板

具有自然的外观，广泛应用于游泳池、露台、宾馆饭店、休闲便道、码头等
Looking like natural wood,
widely used in terrace hotel, pool, port, etc.

本地板是一种共挤塑木，四面均匀而牢固地包裹着高分子材料保护层。保护层与内层在高温下挤出一成成型，不使用对环境有害的粘合剂。

Co-extrusion is an outer shell of polymer that completely encapsulates the board in an impermeable layer of protection from fading, staining, mold/mildew and scratching. The shell and core are a once-molded product extruded under high temperature, without using adhesive which harmful to the environment.



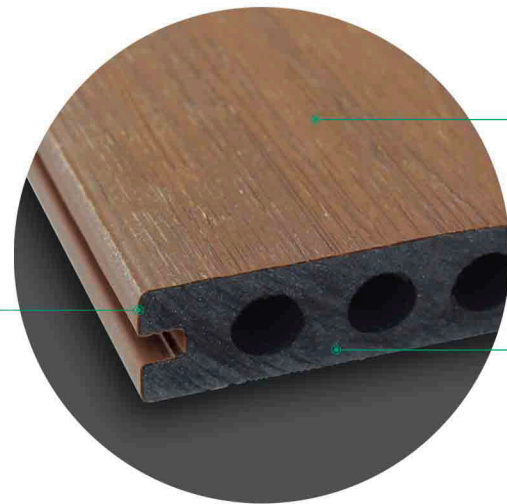
WOOD
PLASTIC
COMPOSITE

PLASTIC CO-EXTRUSION

塑料共挤地板特点

具有自然的外观，广泛应用于游泳池、露台、宾馆饭店、休闲便道、码头等

Looking like natural wood,
widely used in terrace hotel. pool. port. etc.



Long Lifespan 寿命长
Stain Resistance 防污渍
Ultra Low Maintenance 超低维护

PE Core (芯料)

保护层采用先进的高分子工程材料，工艺配方独特，经久耐用。

SHELL

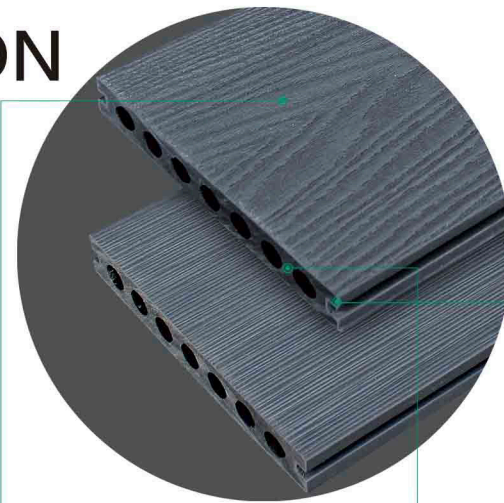
The shell is made of polymer materials. Compared to other composites on the market, Xianfeng Co-extrusion decking caps the boards all the way around. Around the board ensures maximum protection against the elements.

RUBBER CO-EXTRUSION

弹性共挤地板特点

具有自然的外观，广泛应用于游泳池、露台、宾馆饭店、休闲便道、码头等

Looking like natural wood,
widely used in terrace hotel. pool. port. etc.



Anti-Slip 防滑
Soft Touching 柔软
Sound Absorption 吸音
Scratch Resistance 耐刮花
Comfortable Texture 舒适
Indentation Resistance 抗压痕

PE Core (芯料)

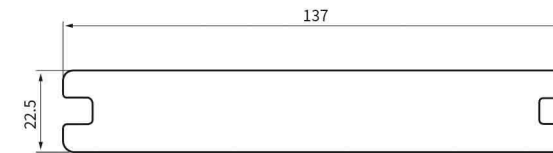
360°全包覆 超强改性弹性体
360° Degree Modified Elastomer

SOLID CO-EXTRUSION

实心共挤地板

具有自然的外观，广泛应用于游泳池、露台、宾馆饭店、休闲便道、码头等

Looking like natural wood,
widely used in terrace hotel. pool. port. etc.



Model : XFD077
Size: 137x22.5mm

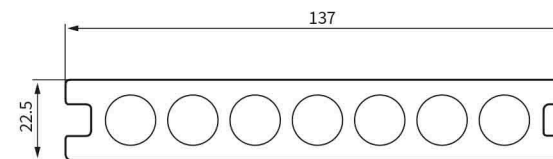


ROUND HOLE CO-EXTRUSION

圆孔共挤地板

具有自然的外观，广泛应用于游泳池、露台、宾馆饭店、休闲便道、码头等

Looking like natural wood,
widely used in terrace hotel. pool. port. etc.



Model : XFD079
Size: 137x22.5mm

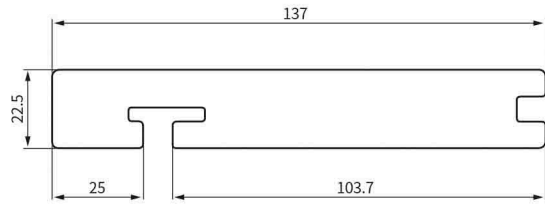


BULLNOSE BOARD

楼梯板

具有自然的外观，广泛应用于游泳池、露台、宾馆饭店、休闲便道、码头等

Looking like natural wood,
widely used in terrace hotel. pool. port. etc.



Model : XFD078
Size: 137x22.5mm

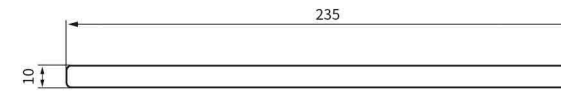


SKIRTING BOARD

封边板

具有自然的外观，广泛应用于游泳池、露台、宾馆饭店、休闲便道、码头等

Looking like natural wood,
widely used in terrace hotel. pool. port. etc.



Model : XFQ065
Size: 235x10mm

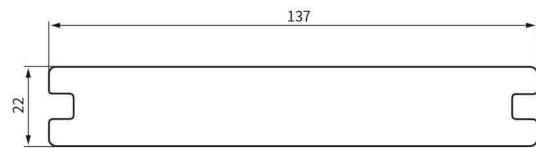


RUBBER CO-EXTRUSION

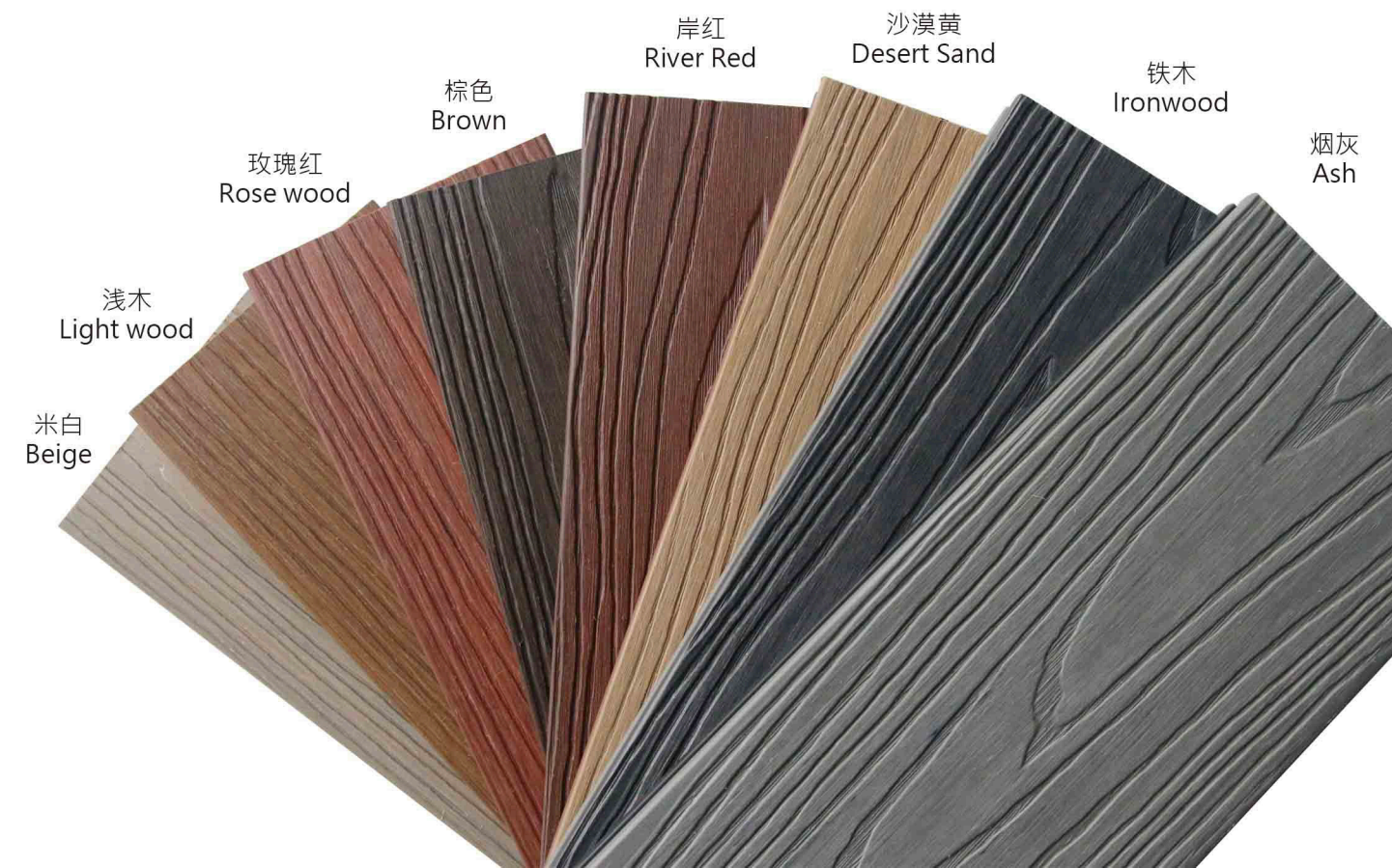
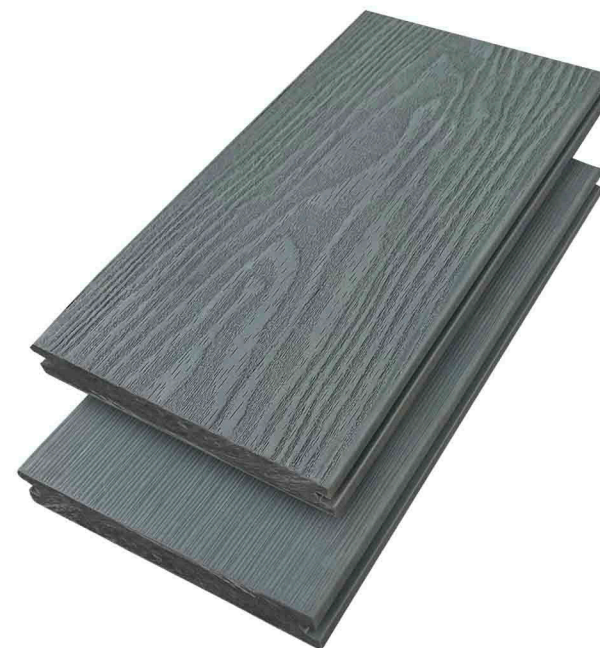
弹性共挤地板

具有自然的外观，广泛应用于游泳池、露台、宾馆饭店、休闲便道、码头等

Looking like natural wood,
widely used in terrace hotel. pool. port. etc.



Model : XFD043
Size: 137x22mm



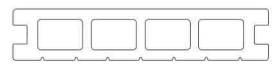
PLUS DECKING

深压纹地板

深压纹地板具有自然的外观，广泛应用于游泳池、露台、宾馆饭店、休闲便道、码头等

Looking like natural wood,
widely used in terrace hotel. pool. port. etc.

可选颜色/color/ ● ● ● ● ● ●



深压空心/PLUS HOLLOW DECKING



深压实心/ PLUS SOLID DECKING



型号：XF-S001
名称：水曲柳
Name: Ashtree

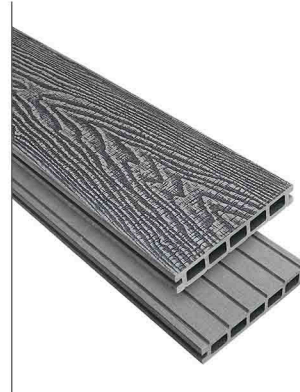
Surface pattern selection



型号：XF-S002
名称：橡木纹
Name: OAK



型号：XF-S003
名称：麻纹
Name: Dotted ashtree



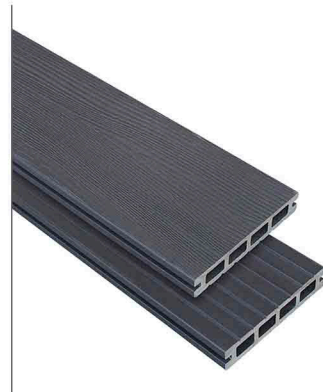
型号：XF-S004
名称：刀砍纹
Name: Driftwood



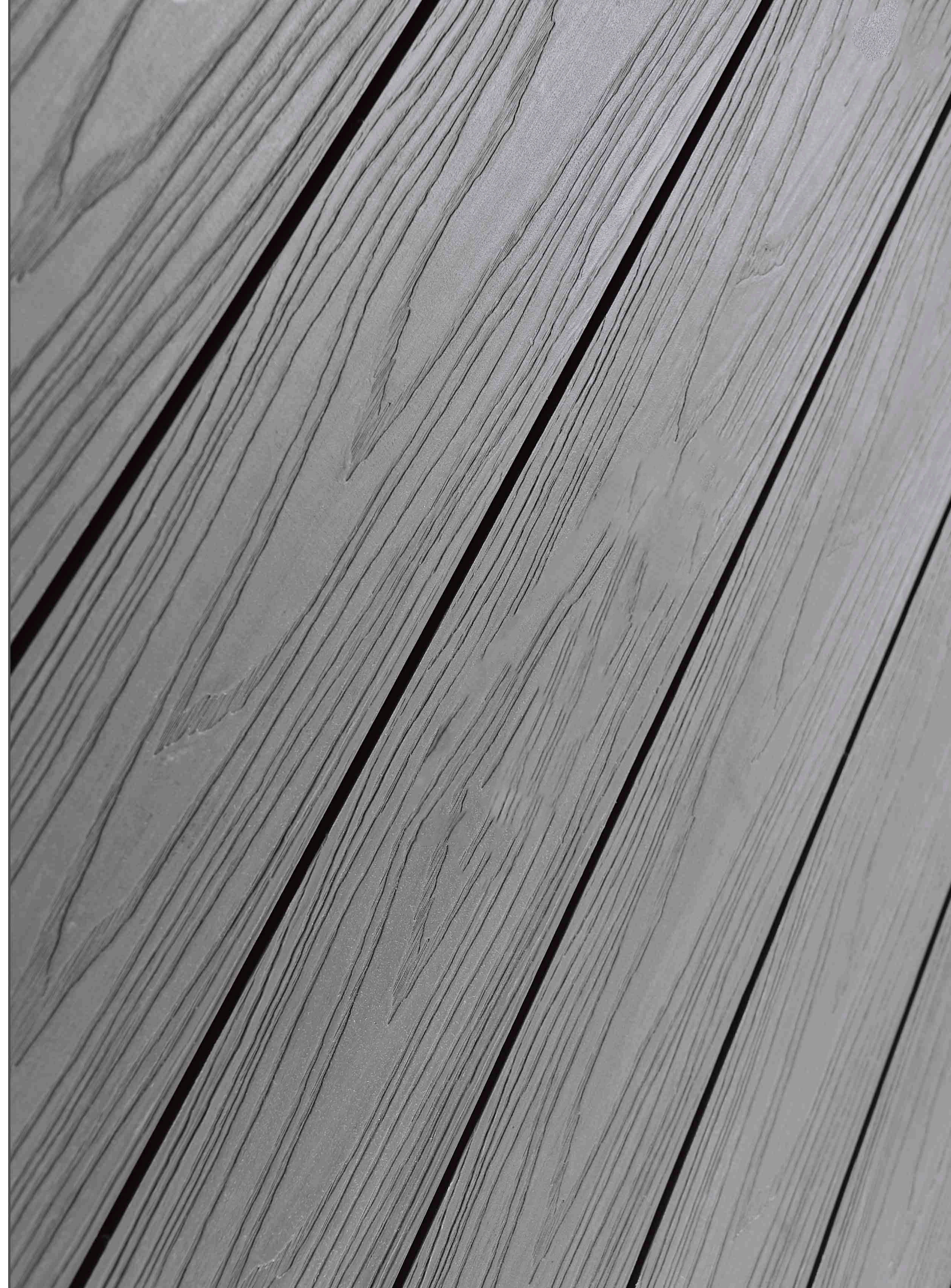
型号：XF-S005
名称：树皮纹
Name: Deep Bark grain



型号：XF-S006
名称：大拉丝
Name: Big line



型号：XF-S007
名称：创意木纹
Name: Creativity grain

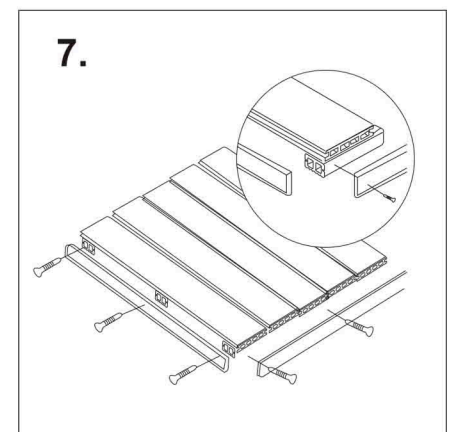
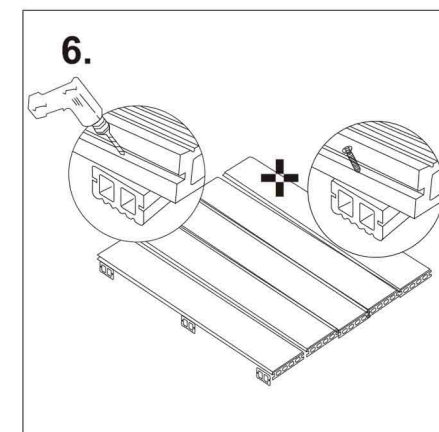
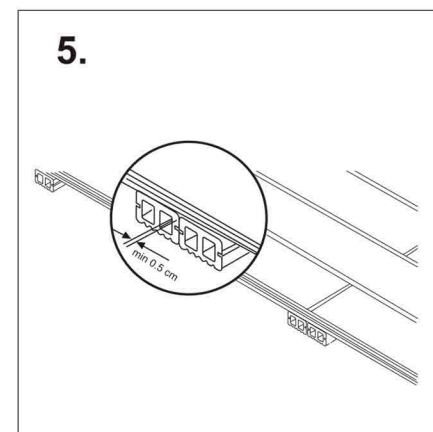
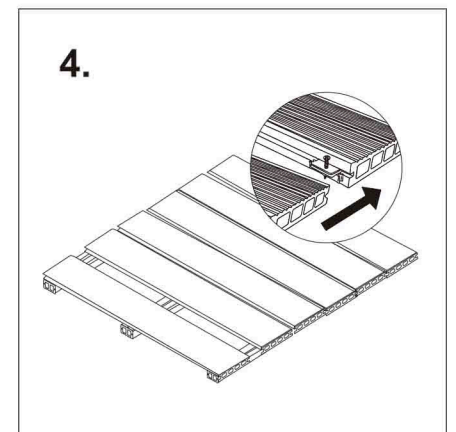
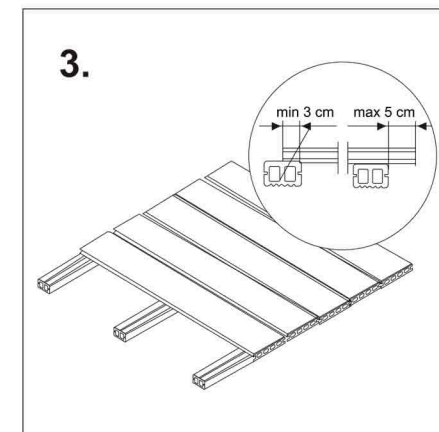
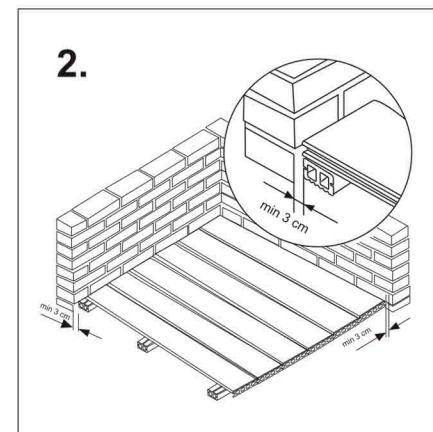
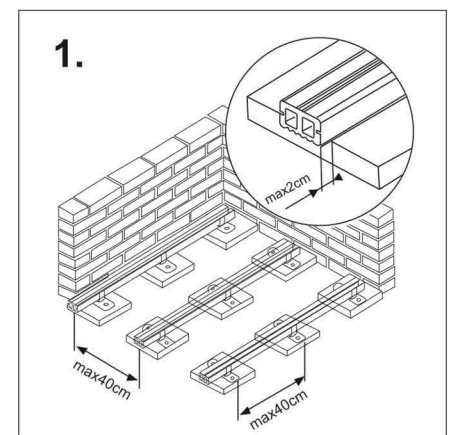
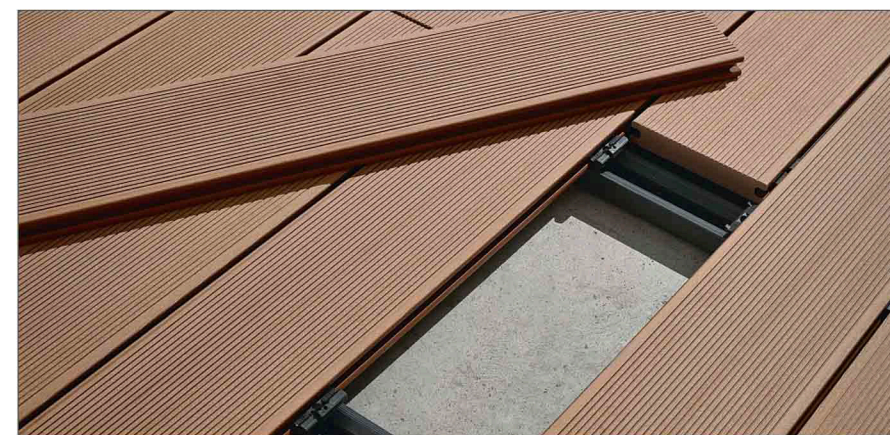




DECKING INSTALLATION 木塑地板的安装

正确的安装方法对我们的产品非常重要，请在安装前仔细阅读配套的安装说明书！

Correct installation is very important. Please check the relevant instructions carefully before install your project.



INSTALL ACCESSORIES 木塑地板安装配件

安装简单，利用地板、龙骨、连接件、不锈钢螺丝等配套使用。

Our decking system includes decking boards, rails, connectors and screws, easy for installation.



不锈钢卡扣
S.S.304 clip



塑料T卡
Nylon clip with S.S. screw



地板封头
Hollow decking endcap



地板格栅钉
Expansion screw

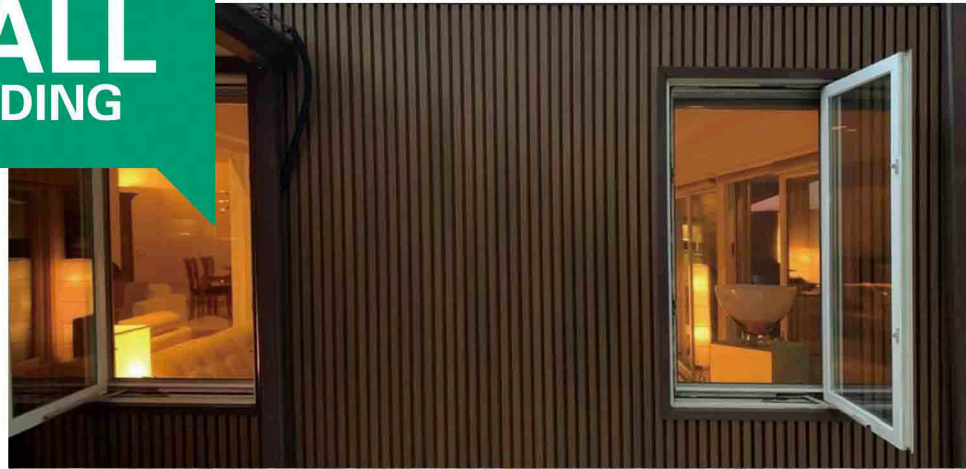


龙骨：XF L 002
Joist



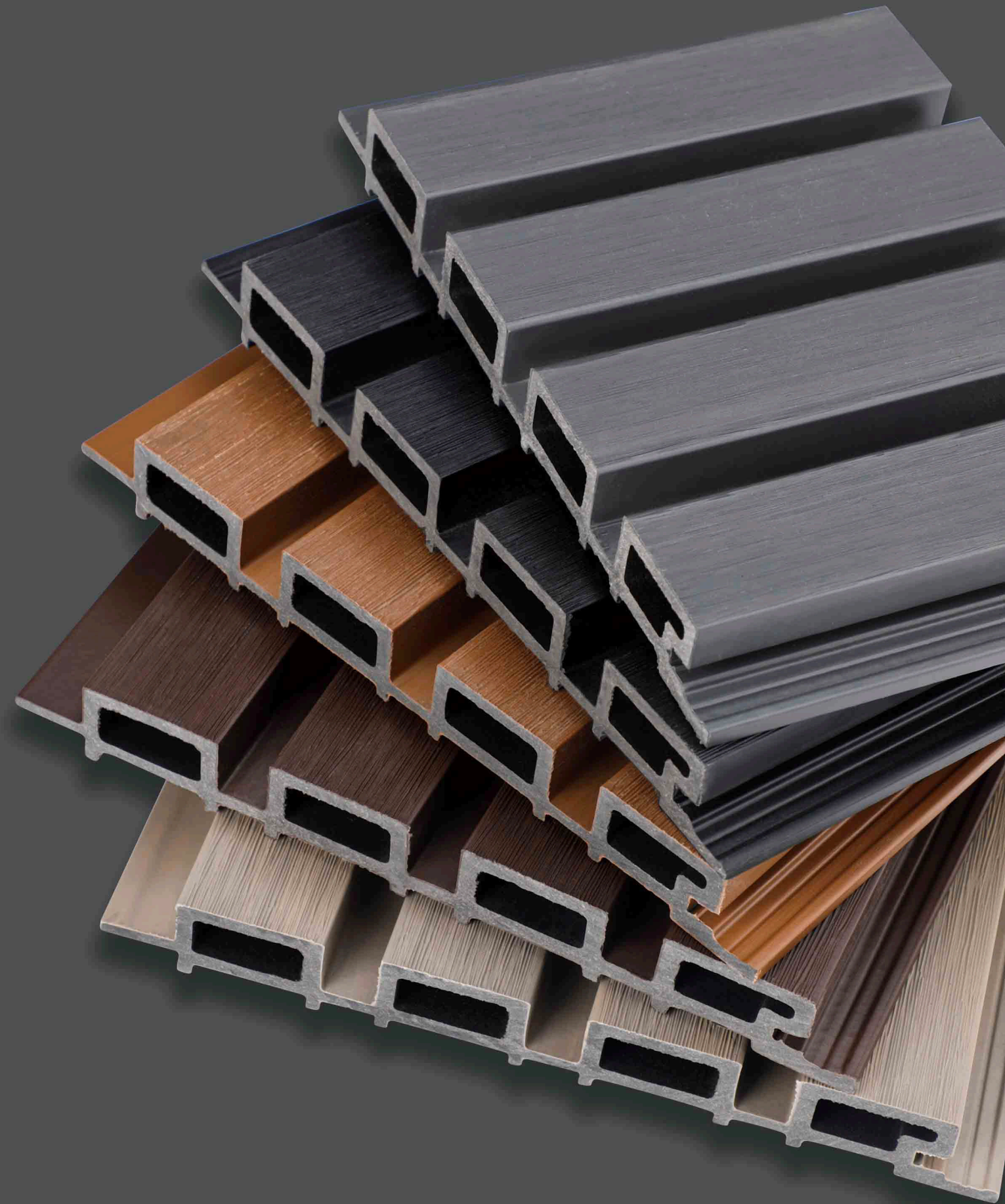
起始扣
S.S.304 Start clip

木塑墙板
WPC
WALL
CLADDING

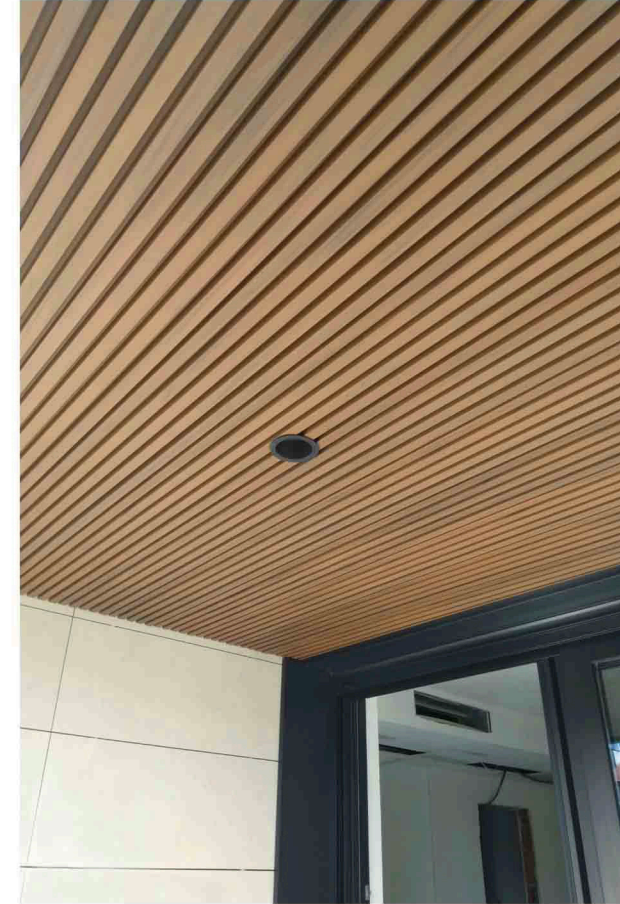


Wall cladding have favorable mechanical performance.
No need for painting and glue.
But with uv and fade resistance, durable in use.

木塑墙板耐候性优良·防潮保温不易腐蚀·抗紫外线·无需油漆不褪色·可循环再利用·更亲近自然。



墙板系列 · 让建筑更富亲和力
 Wall panels make your building to be closer to nature



木塑墙板耐候性优良，防潮保温不易腐蚀，抗紫外线，无需油漆不褪色，可循环再利用，更亲近自然。

Wall panels have favorable mechanical performance. No need for painting and glue. But with uv and fade resistance, durable in use.



墙板：XFW022
 Size: 219x26mm



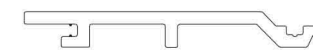
墙板：XFW034
 Size: 225x17mm



墙板：XFW035
 Size: 209.5x13mm



墙板：XFW037
 Size: 135x26mm



墙板：XFW036
 Size: 172x20.5mm



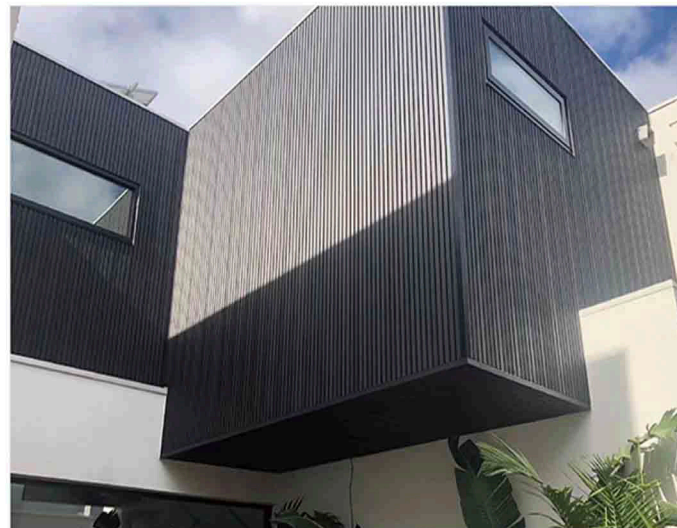
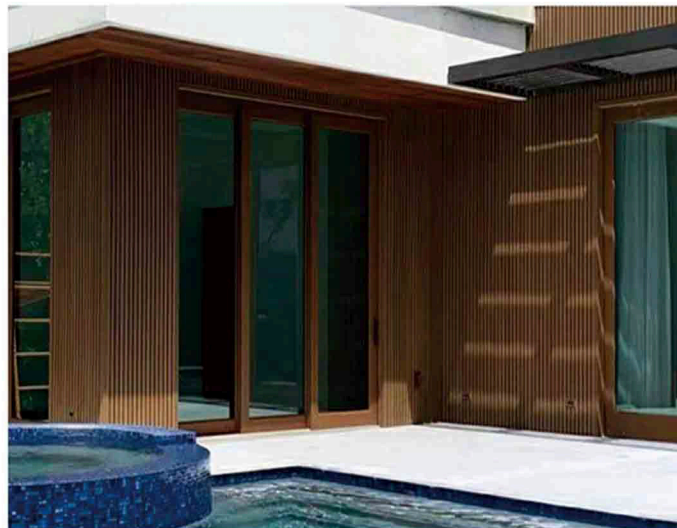
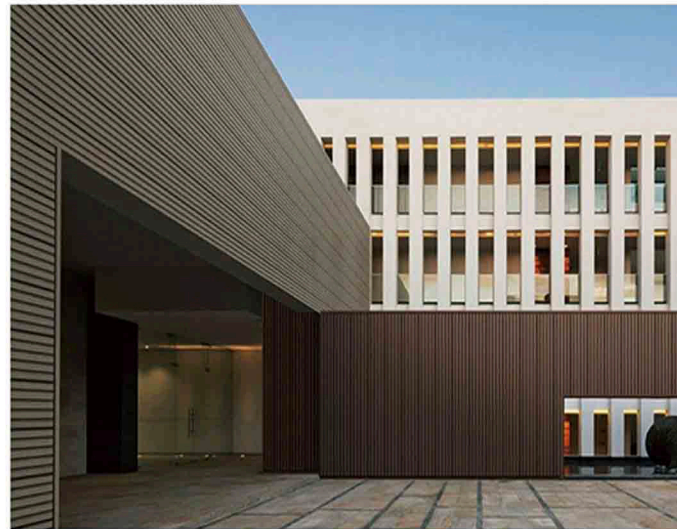
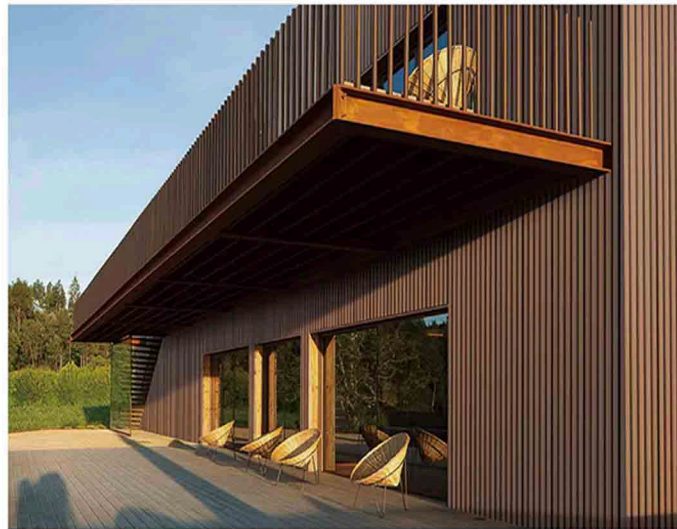
墙板：XFW002
 Size: 156x21mm

WALL PANEL INSTALLATION

木塑墙板及安装

正确的安装方法对我们的产品非常重要，请在安装前仔细阅读配套的安装说明书！

Correct installation is very important. Please check the relevant instructions carefully before install your project.



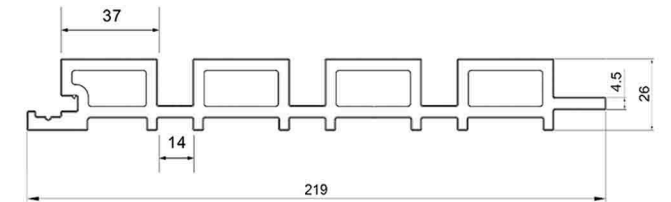
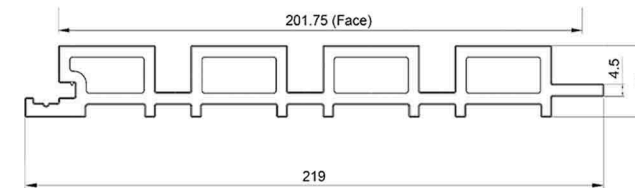
219-26

New Tech 2nd Generation
CO-Extrusion

Width: 219mm
Thickness: 26mm



PERFORMANCE DATA



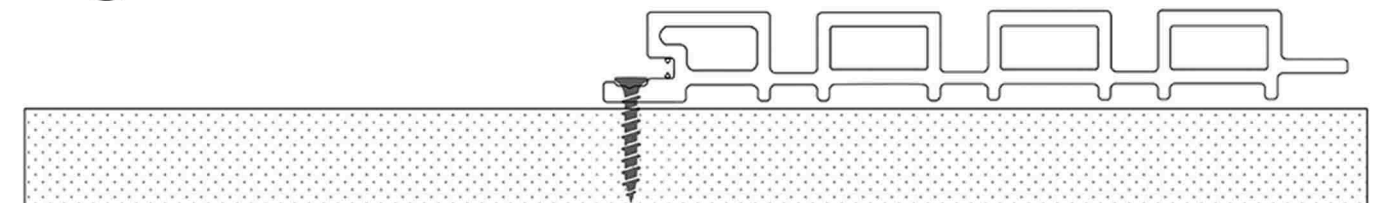
| | |
|-----------------------|-----------------------|
| DENSITY | 1.27g/cm ³ |
| WEIGHT | 14.5kg/sqm |
| FIRE-RESISTANCE LEVEL | -/120/120 |
| WATER ABSORPTION | 0.13% |

Core material: HDPE Plastic 30%, wood powder 50%, pigment/filler 15%, antioxidants/lubriant 5%

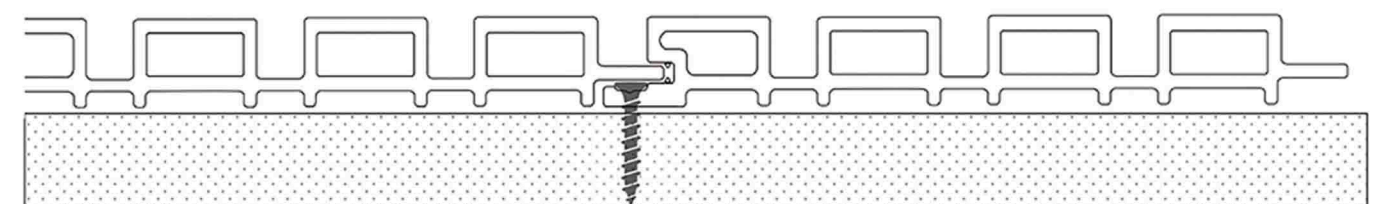
Capped material: modified polyolefin plastic 70%, functional plastic 25%, pigment masterbatch 3%, additives (antioxidants, anti-ultraviolet agent, lubriant, etc.) 2%



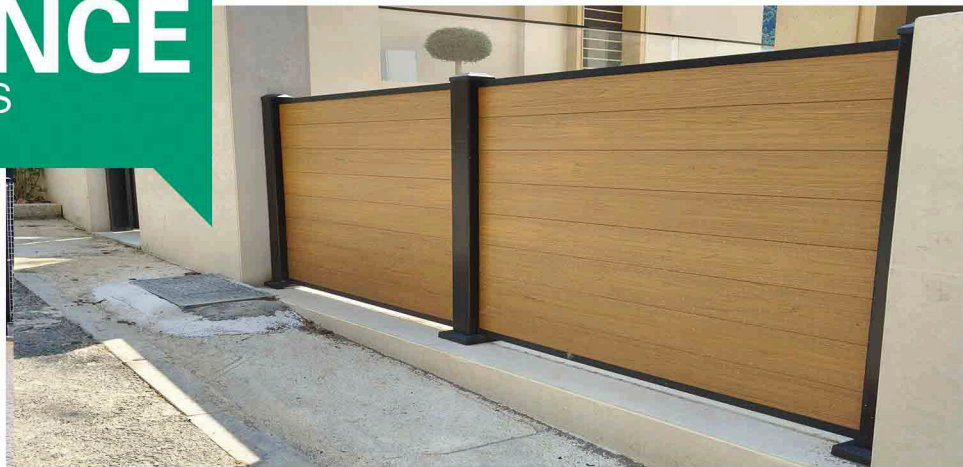
STEP A Screw one side onto the back frame/wall (suggested span to be 400-450mm)



STEP B Click in next panel to cover the screw and fix the other side (repeating step A)



木塑屏风
WPC
FENCE
SERIES



Various European fence is beautiful elegant design,
maintenance easily insect resistant, high rigidity.
It gets you closer to the nature.

各类欧式屏风·造型优美·风格典雅·施工维护方便·无裂纹、翘曲、变形·绿色环保·让您更亲近自然。



FENCE

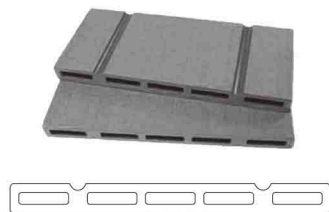
SINGAL FENCE

拥有天然木纹质感和纹理结构，量身定做，可满足客户的不同需求
 As well as nature wood grain texture and touch
 thus could meet various requirements of customers



BILL FENCE

拥有天然木纹质感和纹理结构，量身定做，可满足客户的不同需求
 As well as nature wood grain texture and touch
 thus could meet various requirements of customers



Basic屏风：XFW001
 Size: 143x13mm



扁铝
 Flat Aluminum



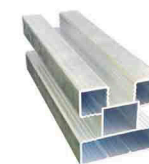
铝柱封头
 Post cap



铝合金角码
 Aluminum L-corner



屏风板：XFW013
 Size: 210x21mm



铝柱
 Aluminum post



铝合金底部槽
 Aluminum bottom cover

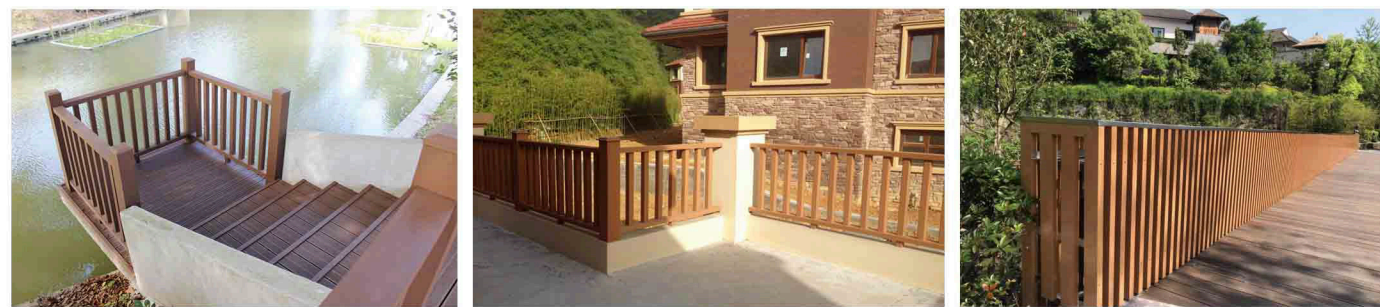
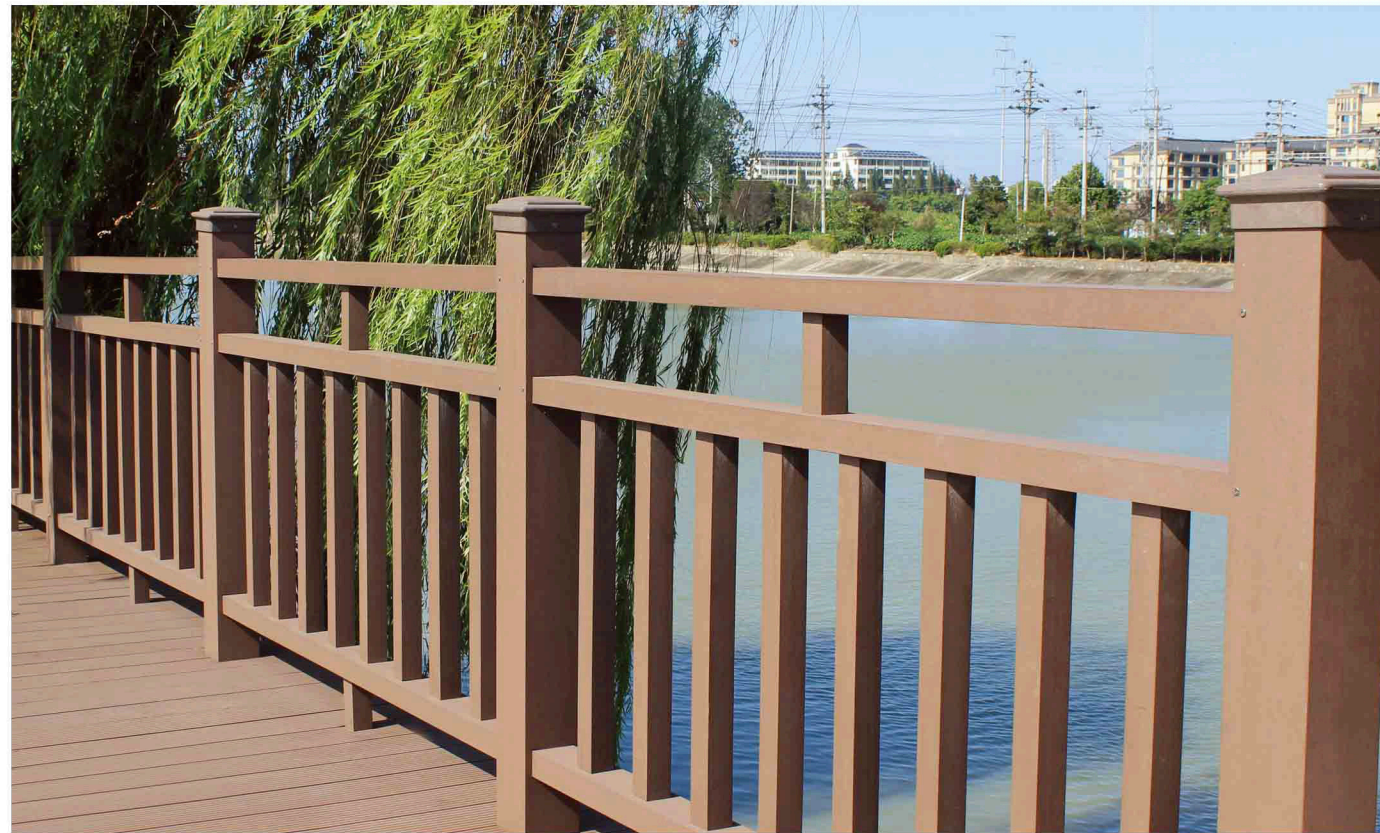


铝合金U型槽
 Aluminum U-Groove

WPC RAILING

木塑护栏

拥有天然木纹质感和纹理结构，量身定做，可满足客户的不同需求。
As well as nature wood grain texture and touch, thus could meet various requirements of customers



大立柱：XFQ003
Size: 121x121mm



小立柱：XFQ002
Size: 51x51mm



扶手：XFQ001
Size: 90x50mm



柱帽
Post cap

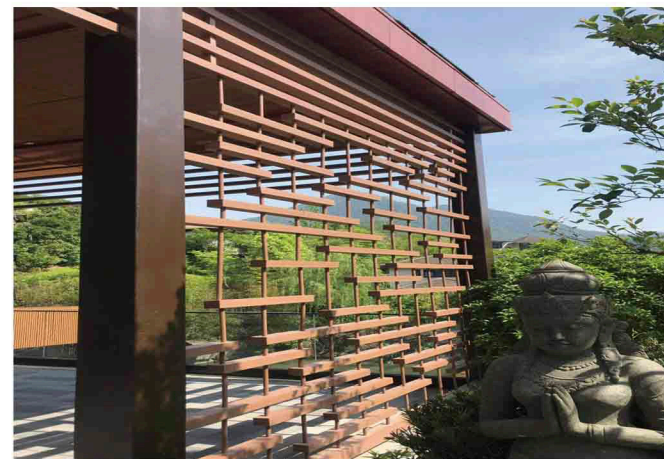


柱脚
Post support

OTHERS

更多应用

塑木还能根据设计师的要求做出各类花箱、休闲椅、垃圾箱等
Can be used various planter, bench, dustbin and so on



Joist



Model: XFL001
Size: 50x30mm



Model: XFL002
Size: 40x30mm

DIY Tile



Size: 300x300mm